

F

BOLTING SOLUTIONS



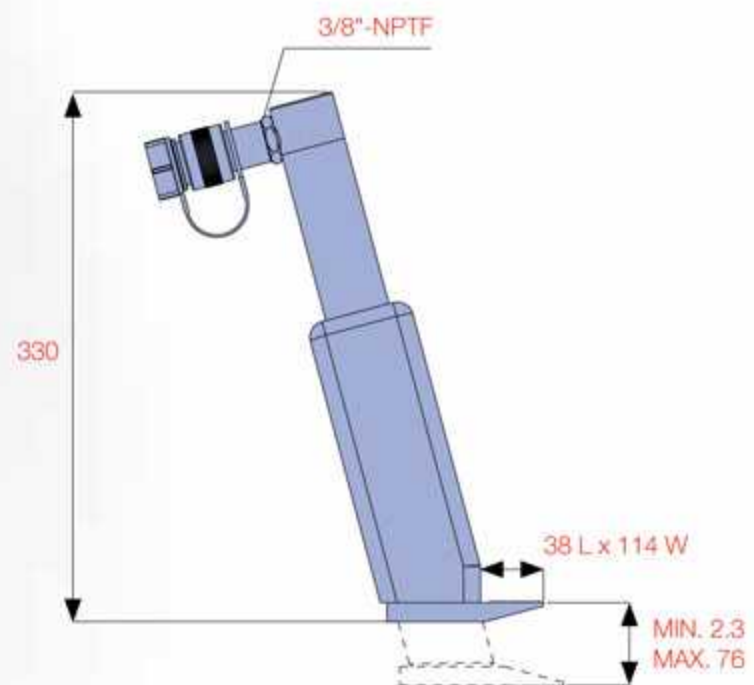
THE **DHS-SERIES** OF REMOTE HYDRAULIC SPREADERS ARE IDEALLY SUITED TO SPREADING, LIFTING AND LEVELLING WORKS.

The DHS-5 model is designed for flange spreading operations. All models feature high strength steel construction and spring return cylinder.

DHS-5

DHS-5 ADVANTAGES

- 5 ton spreading force
- 2.3-76 mm spreading capability
- jaws open parallel
- will not drift away or creep down
- all metal construction

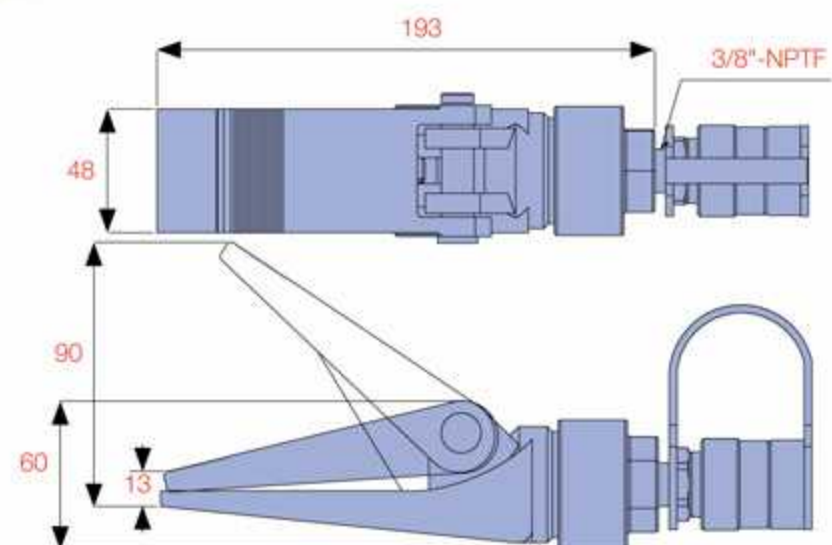


DHS-05 ADVANTAGES

- 1/2 ton spreading force
- 13-90 mm spreading capability
- economy model



DHS-05



Model Number	Capacity (ton)	Oil Capacity (cc)	Tip Clearance Min. (mm)	Spread Max. (mm)	Weight (kg)
DHS-05	0.5	9.5	13.0	90	1.9
DHS-1	1.0	14.0	12.0	99	2.2
DHS-5	5.0	82.0	2.3	76	6.2
DHS-15	15.0	26.0	5.0	15	3.5

DHS-15 ADVANTAGES

- designed for rugged operating applications
- 15 ton spreading force
- 5-15 mm spreading capability
- serrated jaws for grip

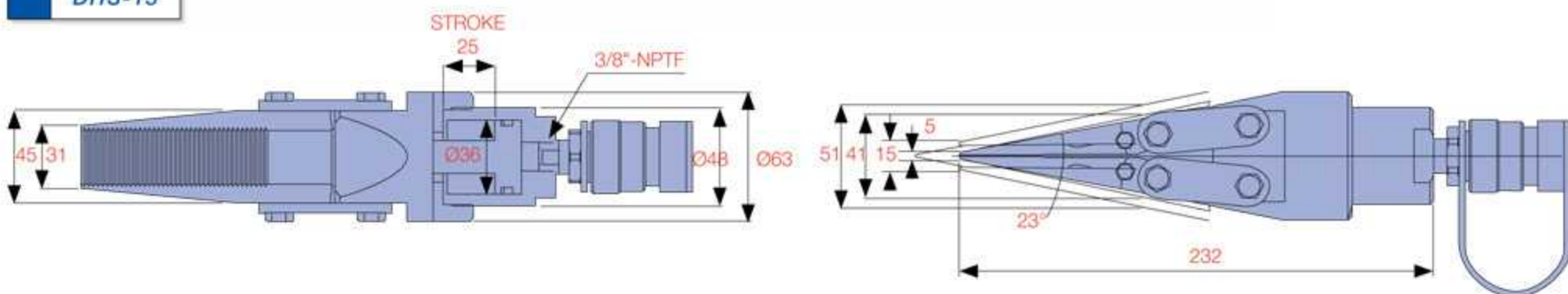


CAPACITY
0.5 - 15 ton

SPREAD
2.3 - 99 mm

MAXIMUM OPERATING PRESSURE
700 bar

DHS-15



DHS-1 ADVANTAGES

- 1 ton spreading force
- 12-99 mm spreading capability
- general purpose spreader for many industrial applications



DHS-1

