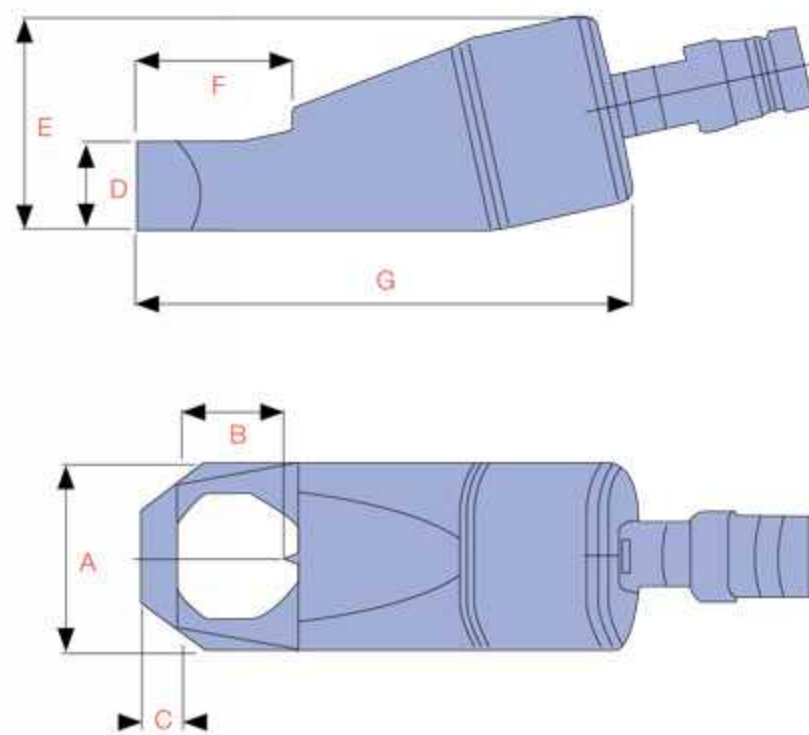


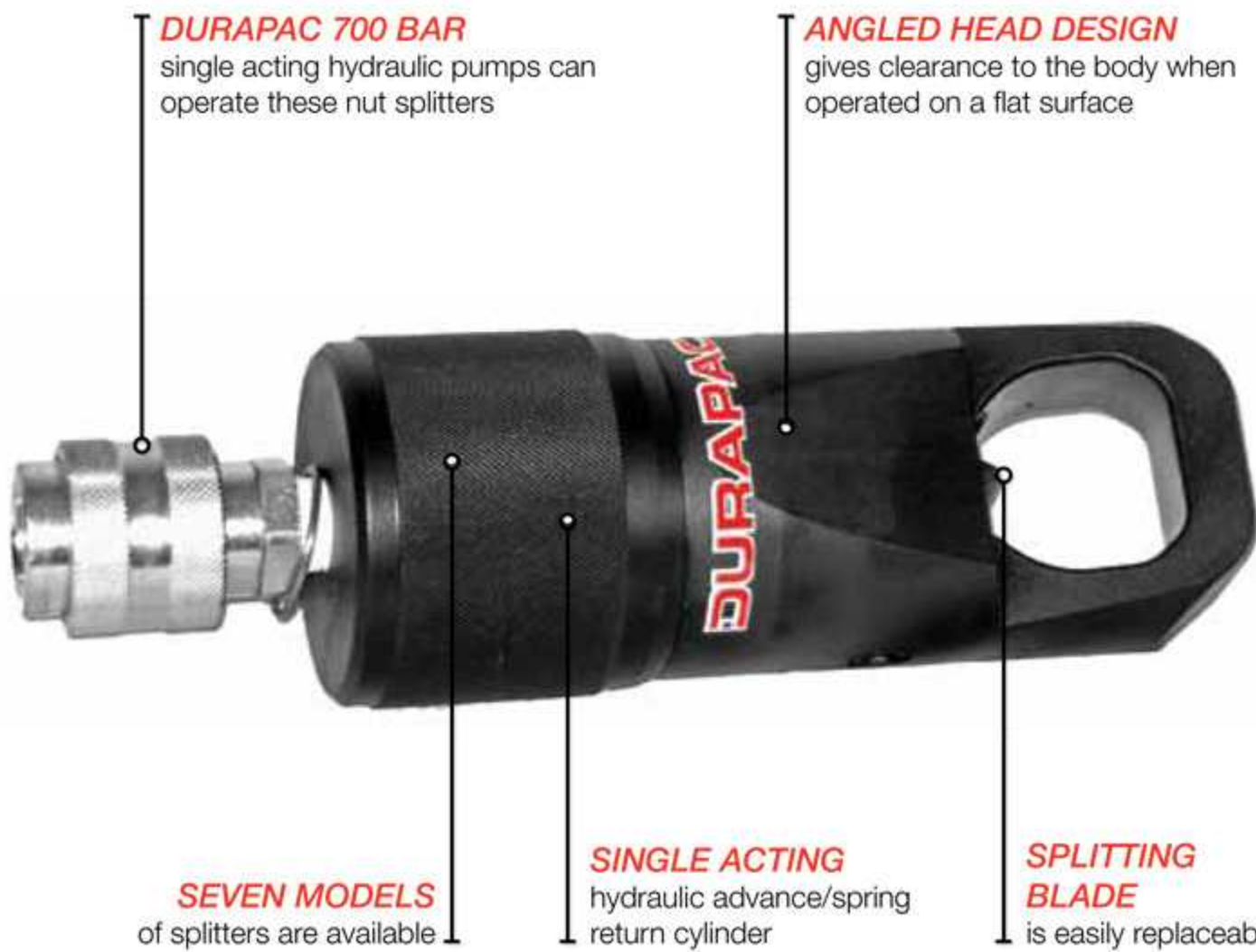


THE **DNS-SERIES** OF NUT SPLITTERS CONSISTS OF SEVEN MODELS FOR HANDLING DIFFICULT TO REMOVE NUTS RANGING FROM 10 - 75 MM A/F CAPACITY.

They are a proven performer in the railway, pipelines, petro-chemical, heavy vehicles, mining, steel and industrial applications. DNS-Series Nut Splitters use a single acting hydraulic-advance/spring return cylinder offering between 5 - 90 ton of force. All models can be driven by a 700 bar lightweight single acting hand pump or power unit. The unique angled-head design gives clearance to the body when operating on a flat surface. They are a compact design capable of splitting nuts up to hardness HRc 44 and are also suitable for use on Grade 2H high temperature nuts as used in the petrochemical industry. Each tool is supplied in a heavy duty moulded plastic storage case except DNS-6075 which comes with a wooden case.



| Model No. | Bolt Range | Hex Nut Range (mm) | Capacity (ton) | Oil Capacity (cm <sup>3</sup> ) | Dimensions (mm) |       |        | Weight (kg) | Spare Blade Model Number |
|-----------|------------|--------------------|----------------|---------------------------------|-----------------|-------|--------|-------------|--------------------------|
|           |            |                    |                |                                 | Length          | Width | Height |             |                          |
| DNS-1319  | M6-M12     | 10-19              | 5              | 13                              | 170             | 40    | 48     | 1.2         | DNS-1319-4               |
| DNS-1924  | M12-M16    | 19-24              | 10             | 21                              | 191             | 54    | 62     | 2.0         | DNS-1924-4               |
| DNS-2432  | M16-M22    | 24-32              | 15             | 58                              | 222             | 64    | 72     | 3.0         | DNS-2432-4               |
| DNS-3241  | M22-M27    | 32-41              | 20             | 88                              | 244             | 75    | 88     | 4.4         | DNS-3241-4               |
| DNS-4150  | M27-M33    | 41-50              | 35             | 153                             | 288             | 94    | 105    | 8.5         | DNS-4150-4               |
| DNS-5060  | M33-M39    | 50-60              | 50             | 233                             | 318             | 106   | 128    | 11.8        | DNS-5060-4               |
| DNS-6075  | M39-M48    | 60-75              | 90             | 492                             | 393             | 156   | 181    | 34.1        | DNS-6075-4               |



**BOLT RANGE**  
**M6 - M48**

**HEX NUT RANGE**  
**10 - 75 mm**

**MAXIMUM NUT HARDNESS**  
**HRC-44**  
*Suitable for Grade 2H high temperature nuts for use in the petrochemical industry*

**MAXIMUM OPERATING PRESSURE**  
**700 bar**



**Did you know...**  
Durapac offers a range of lightweight portable hand pump options to suit the DNS-Series nut splitters. Spare chisel and storage case included with each tool.



| Model No. | Dimensions (mm) |      |      |      |       |       |       |
|-----------|-----------------|------|------|------|-------|-------|-------|
|           | A               | B    | C    | D    | E     | F     | G     |
| DNS-1319  | 39.8            | 20.9 | 7.0  | 19.0 | 49.7  | 29.0  | 120.0 |
| DNS-1924  | 53.8            | 25.3 | 10.0 | 25.0 | 62.2  | 40.0  | 146.0 |
| DNS-2432  | 64.0            | 33.6 | 13.0 | 30.0 | 76.5  | 51.8  | 181.0 |
| DNS-3241  | 77.0            | 42.7 | 16.0 | 36.0 | 87.3  | 64.9  | 205.0 |
| DNS-4150  | 94.0            | 53.8 | 21.1 | 44.7 | 108.0 | 76.0  | 244.0 |
| DNS-5060  | 106.0           | 60.8 | 24.3 | 54.3 | 125.3 | 92.0  | 289.0 |
| DNS-6075  | 156.2           | 80.4 | 27.0 | 75.0 | 184.0 | 110.0 | 365.0 |