

C

PUMPS



THE SPE 35 & 45 SERIES ARE COMPACT PORTABLE ELECTRIC POWER UNITS.

These powerful units are lightweight, cost effective and have a number of valve and pump functionality options to ensure that there is a suitable pump for every application. Having low amperage draw motors they are ideal for field use or indoors.

Model	Usable Oil (L)	Pressure Stage	Flow (Lpm)	Force (ton)										
				Piston Rod speed (mm) per second	10	15	20	25	30	50	75	100	150	200
Two Speed														
35 Series - Two Speed	1.6	1st	2.00	Piston Rod speed (mm) per second	23.0	16.0	12.0	10.0	8.0	4.0	3.0	3.0	-	-
		2nd	0.20		2.0	1.6	1.2	1.0	0.8	0.4	0.3	0.3	-	-
45 Series - Two Speed	2-3	1st	2.50		29.0	21.0	15.0	13.0	10.0	5.0	4.0	3.0	2.1	1.6
		2nd	0.35		4.0	3.0	2.0	2.0	1.4	0.8	0.6	0.4	0.3	0.2

STEEL OIL RESERVOIR

with internal bladder allows pump to be used at any angle



ELECTRIC COMMUTATOR MOTOR

0.35 kW (0.47HP)
230V 50/60Hz 4.5A
110V 9A (Option)

DIRECTIONAL CONTROL VALVES

available in manual or solenoid versions to suit single and double acting cylinders

REMOTE PENDANT CONTROL

2.5m is standard supply on all 35-Series



MOTOR SIZE

0.35 - 0.45 kW

FLOW

0.2 - 0.35 Lpm @ 700 bar

MAXIMUM OPERATING PRESSURE

700 bar

PRESSURE GAUGE

63 mm diam. 0-1,000 bar as standard on all 45-Series



ELECTRIC COMMUTATOR MOTOR

0.45 kW (0.6HP)
230V 50/60Hz 4.5A
110V 9A (Option)

DIRECTIONAL CONTROL VALVES

available in manual or solenoid versions to suit single and double acting cylinders

ONE PIECE ALLOY RESERVOIR

for lightweight durability

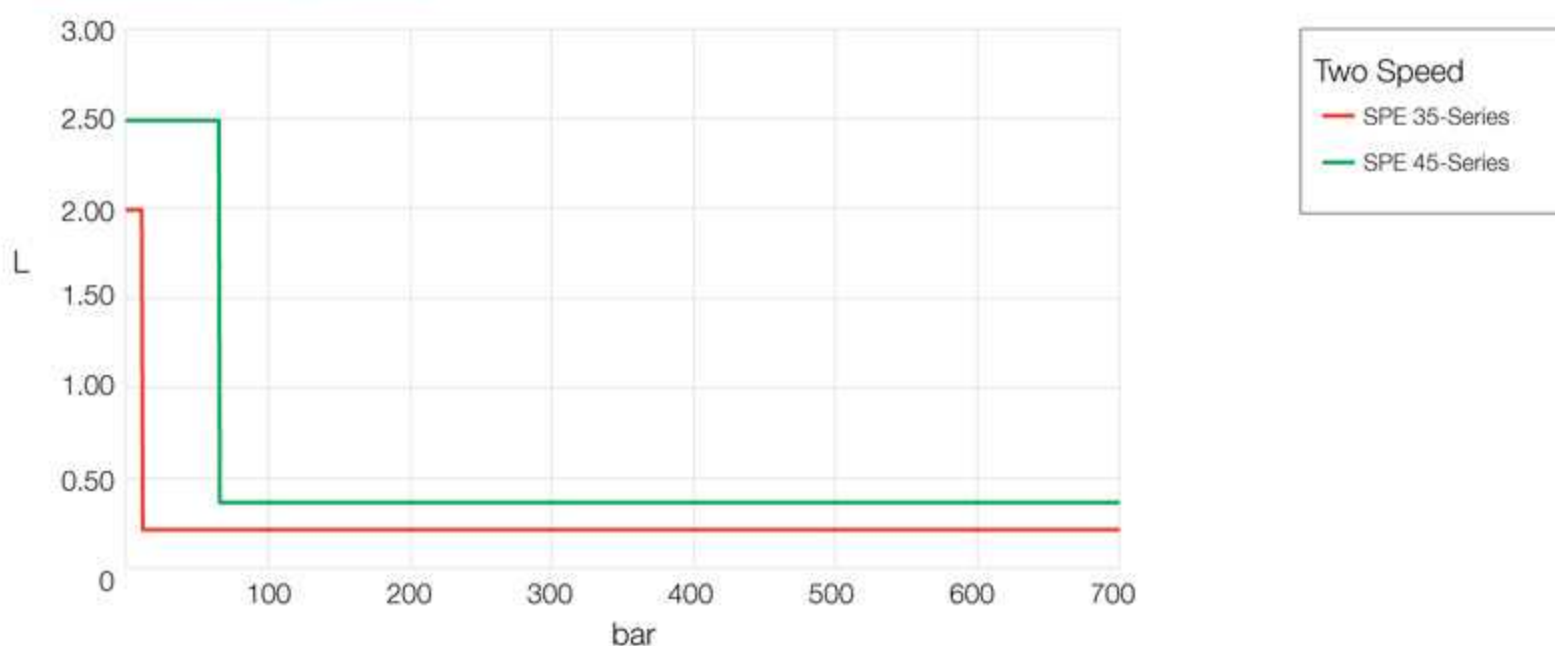
RESERVOIR SIGHT GAUGE

to monitor oil level

REMOTE PENDANT CONTROL

2.5m is standard supply on all 45-Series

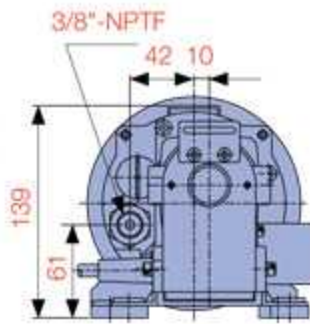
PERFORMANCE TABLES



C

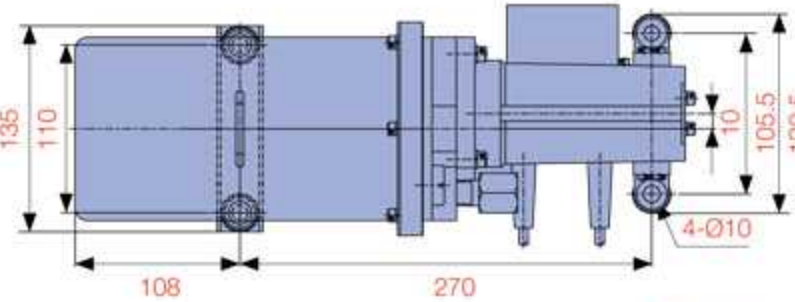
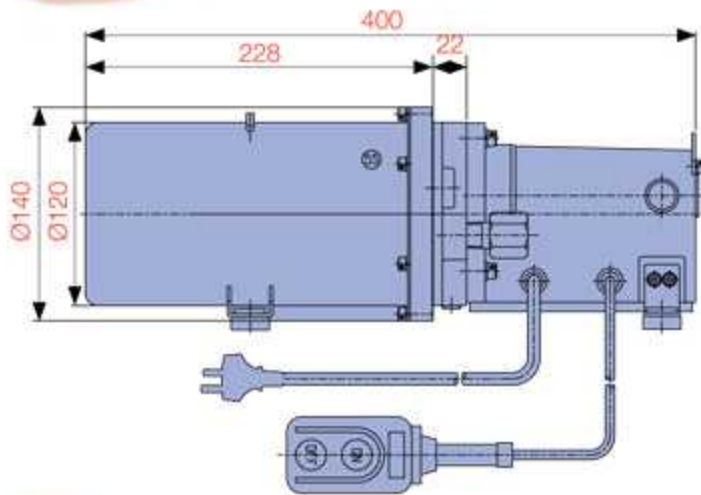
PUMPS

SPES3502NC

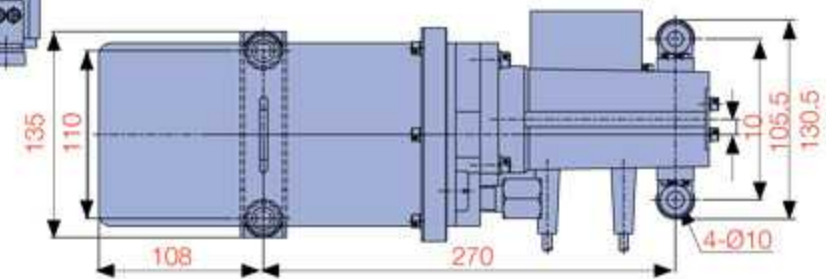
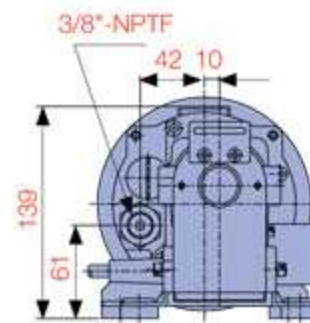
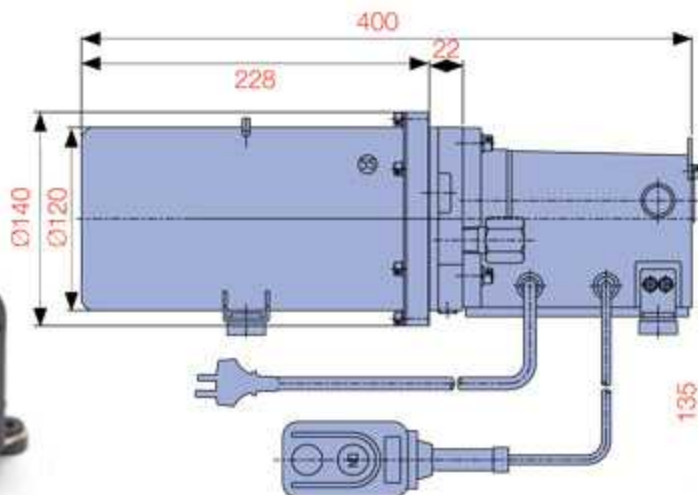


THE **SPE35-SERIES** POWER UNITS ARE CONFIGURED WITH A NUMBER OF VALVE AND PUMP FUNCTIONALITY OPTIONS TO ENSURE THAT THERE A SUITABLE POWER UNIT FOR EVERY APPLICATION.

Cost effective, portable and powerful these units are lightweight and have shoulder strap and handle for transport ease. Extremely simple to use. A pressure switch is an available option on the 35 Series.



SPES3502NO

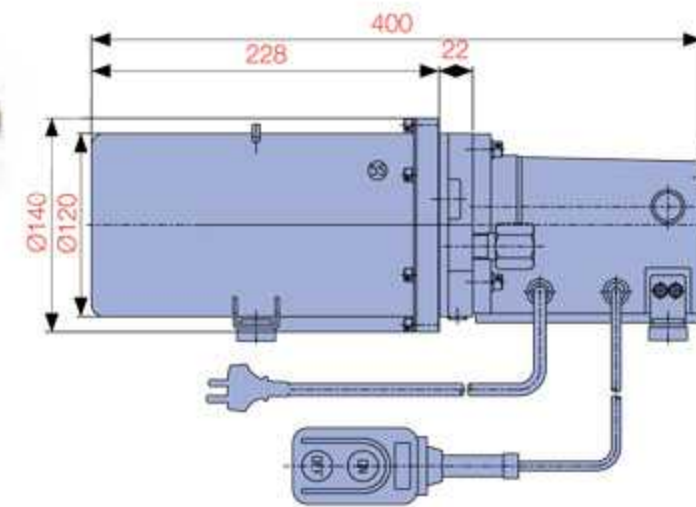
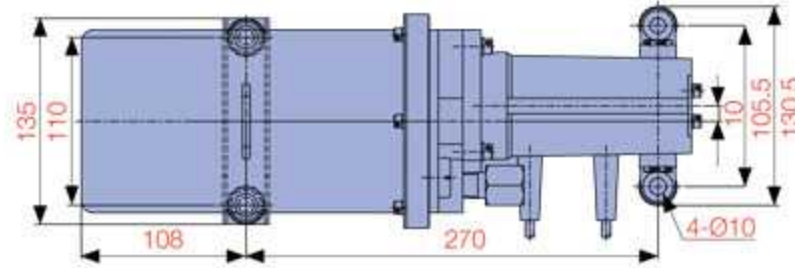
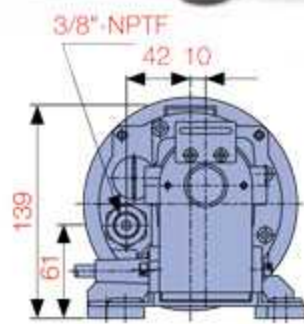


Model	Electric Motor (230 V 50/60 Hz)	Pressure Rating (bar)	Motor kW @ 2,000 rpm	Voltage	Amps	Flow Rate (Lpm)		Control Switch	Usable Oil Capacity (L)
						10 bar	700 bar		
SPE35 Series	Commutator type	700	0.35	230	4.5	2.0	0.2	Remote ON/OFF	1.6
				110	9				

Model Number	Valve Type Sol. = Solenoid Man. = Manual	Used with Cylinder	Cylinder/Pump Function	Weight (kg)
SPES3502NC	Sol. Pressure Hold type	S/A	"Advance" when ON switch is pressed and the motor starts, Release ON switch to "Hold" and stop the motor, "Retract" when OFF switch is pressed. Cylinder can not be stopped on "Retract"	8.7
SPES3502NO	Sol. Auto Retract type	S/A	"Advance" when ON switch is pressed and the motor starts, Auto "Retract" when ON switch is released. The optional pressure switch allows the cylinder to be stopped at set pressure and return automatically	8.7
SPES3502AR	Internal "Pop Off" valve, Auto Retract type	S/A	"Advance" when ON switch is pressed and the motor starts. Pop Off relief valve will indicate full pressure. Auto "Retract" when ON switch is released	8.4
SPES3502IN	Sol. Pressure Hold type	S/A	"Advance" when ON switch is pressed and the motor starts, Release ON switch to "Hold" and stop the motor, "Retract" when OFF switch is pressed. Cylinder can be stopped on "Retract"	9.0
SPEM35024	4w/3p Man.	D/A	When ON switch is pressed, motor will start. When ON switch is released, motor will stop. Advance, Hold, Retract via manual valve	9.7

*Standard motor supplied is 230V, should 110V be required; add "110V" to the end of the model number.

SPES3502AR



OIL CAPACITY

1,600 cc

FLOW

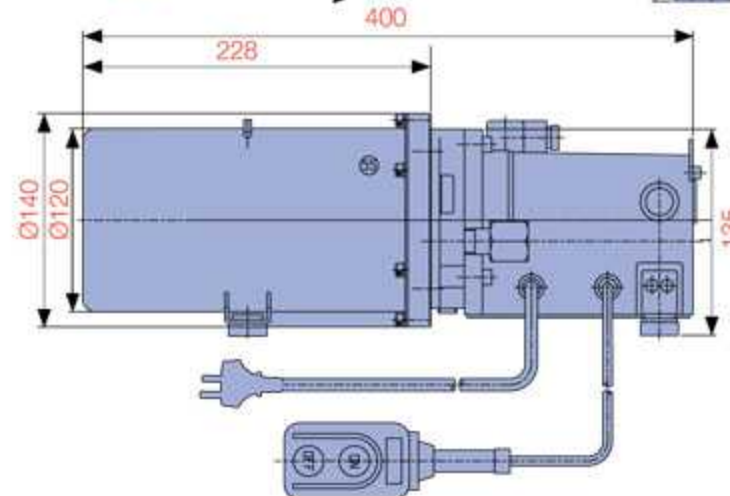
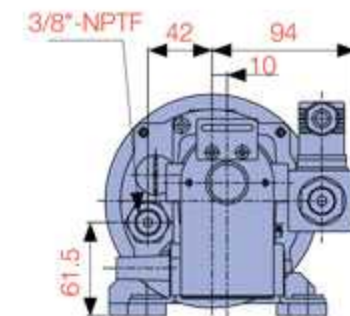
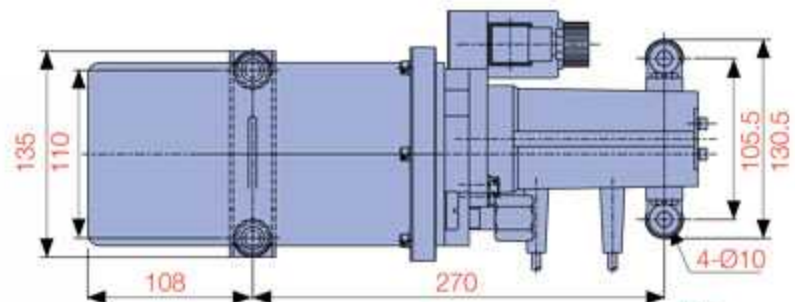
2 Lpm @ 10 bar

0.2 Lpm @ 700 bar

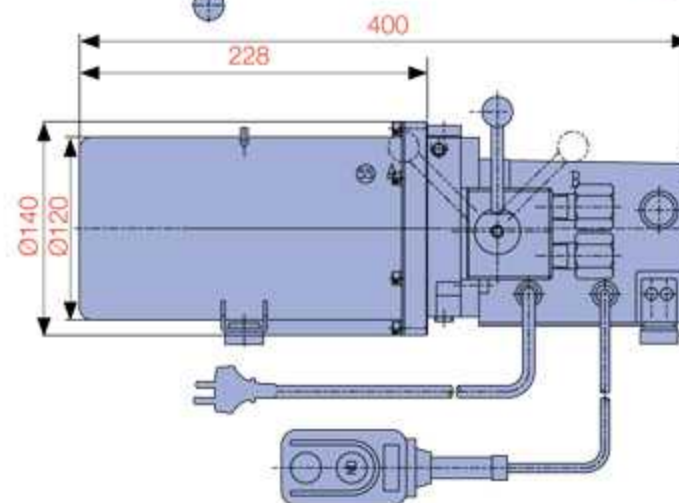
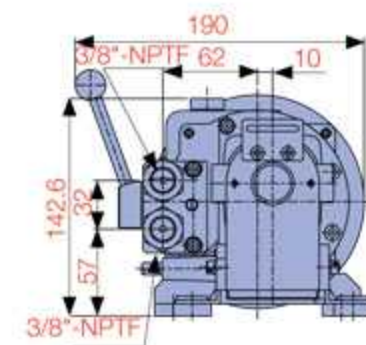
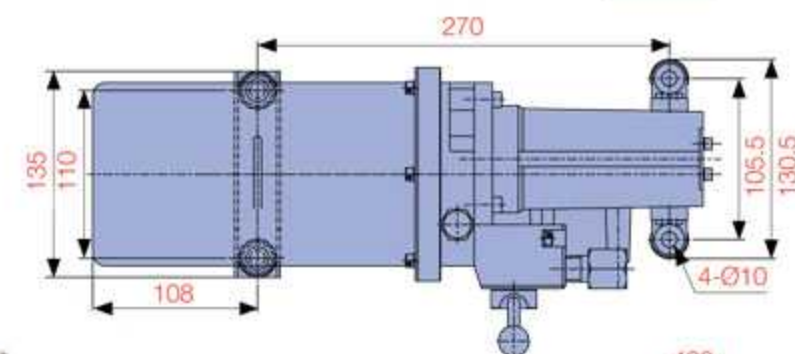
MAXIMUM OPERATING PRESSURE

700 bar

SPES3502IN



SPEM35024



C

PUMPS



THE **SPE45-SERIES** POWER UNITS ARE CONFIGURED WITH A NUMBER OF VALVE AND PUMP FUNCTIONALITY OPTIONS TO ENSURE THAT THERE IS A SUITABLE PUMP FOR EVERY APPLICATION.

Cost effective, portable and powerful these units are lightweight and have a carry handle integrated into the shroud. Extremely simple to use. Pressure switch, adjustable pressure relief and pilot check valves are available options on the 45 Series.

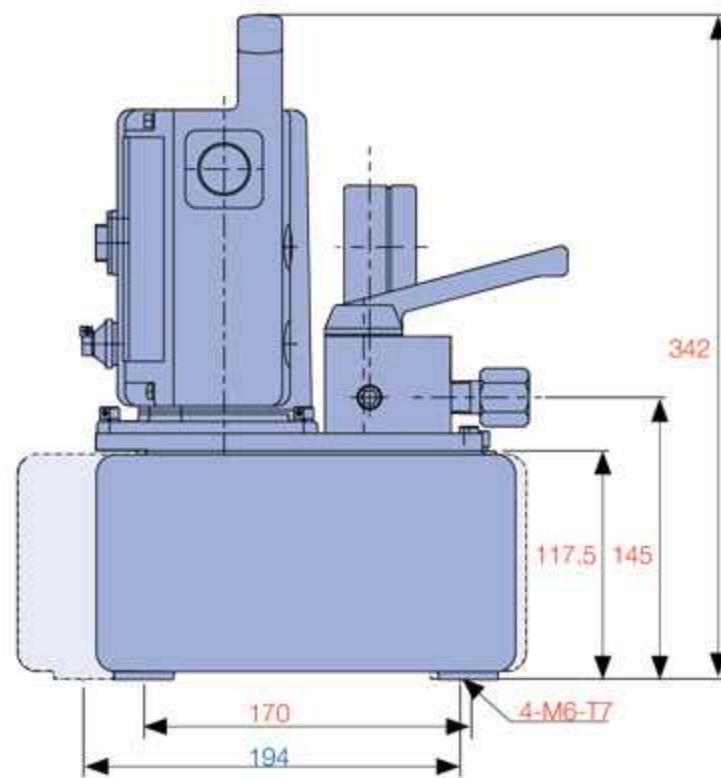
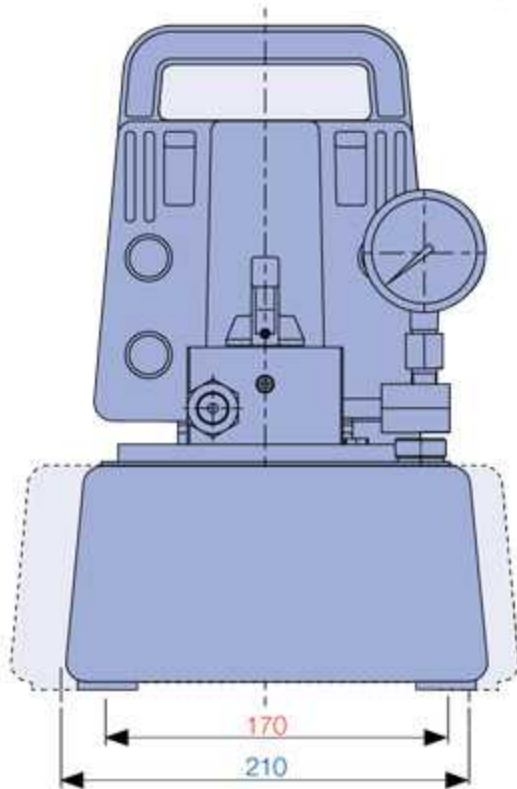
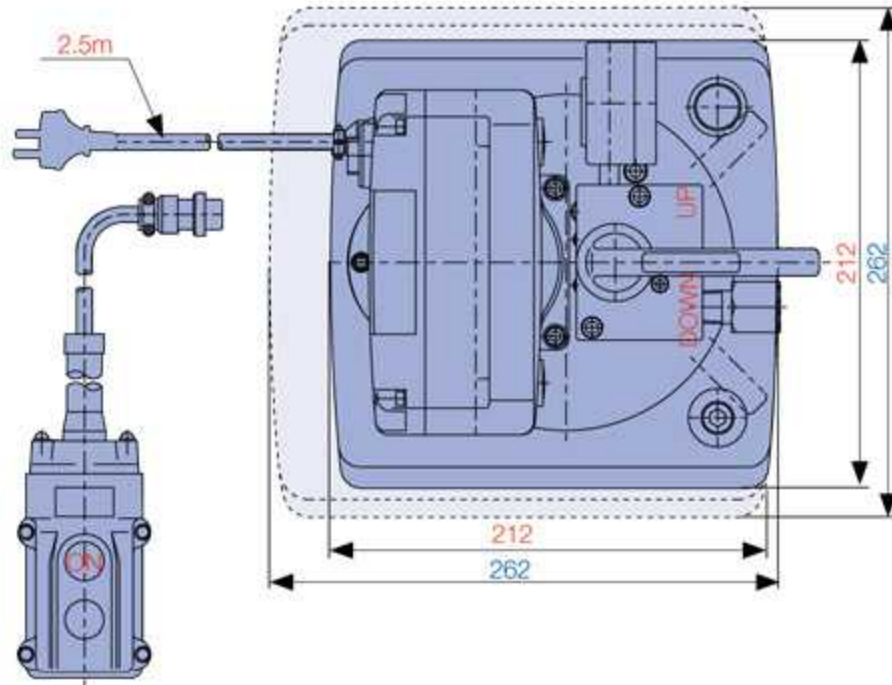
Model	Electric Motor (50/60 Hz)	Pressure Rating (bar)	kW @ 2,000 rpm	Voltage	Amps	Flow Rate (Lpm)		Fitted with	Usable Oil Capacity (L)	*Optional Large Tank Usable Oil Capacity (L)
						70 bar	700 bar			
SPE45 Series	Single phase, commutator type, insulation class 120 ("E")	700	0.45	230	4.5	2.5	0.35	Pressure Gauge	2	3
				110	9					

Model Number	Valve Type Sol. = Solenoid Man. = Manual	Used with Cylinder	Pump Function	Remote Pendant Function 2.4 mtr	Weight (kg)
SPEM4505M	Basic	S/A	P.T. manifold, without valve	MOTOR ON/OFF	16.3
SPEM45053	3w/2p Man.	S/A	Advance, Hold, Retract via manual valve	MOTOR ON/OFF	18.1
SPES4505NC	3w/2p Sol.	S/A	"Advance" when ON switch is pressed and the motor starts, Release ON switch to "Hold" and stop the motor, "Retract" when OFF switch is pressed	Adv/Hold/Retract	19.2
SPES4505NO	2w/2p Sol.	S/A	"Advance" when ON switch is pressed and the motor starts, Auto "Retract" when ON switch is released	MOTOR ON/OFF	20.5
SPEM45054	4w/3p Man.	D/A	Advance, Hold, Retract via manual valve	MOTOR ON/OFF	18.1
SPES45054SP	4w/3p Sol.	D/A	"Advance"/"A" port Hold/ "Retract" with stacking type pilot-operated check valve fitted on "A" port line	Adv/Hold/Retract	20.5
SPES45054WP	4w/3p Sol.	D/A	"Advance"/"A" and "B" port Hold/ "Retract" with stacking type pilot-operated check valve fitted on "A" and "B" port lines. Pressure holding on both "A" and "B" ports	Adv/Hold/Retract	20.5

* To order with larger tank size; add "L" to the end of the model number

† Standard motor supplied is 230V, should 110V be required; add "110V" to the end of the model number

SPE45 SERIES DIAGRAM



C
PUMPS

MOTOR SIZE
0.35 - 0.45 kW

FLOW
0.2 - 0.35 Lpm @ 700 bar

MAXIMUM OPERATING PRESSURE
700 bar

SPEM4505M

SPES45054WP
SPES45054SP

SPES4505NC
SPES4505NO

SPEM45054
SPEM45053

