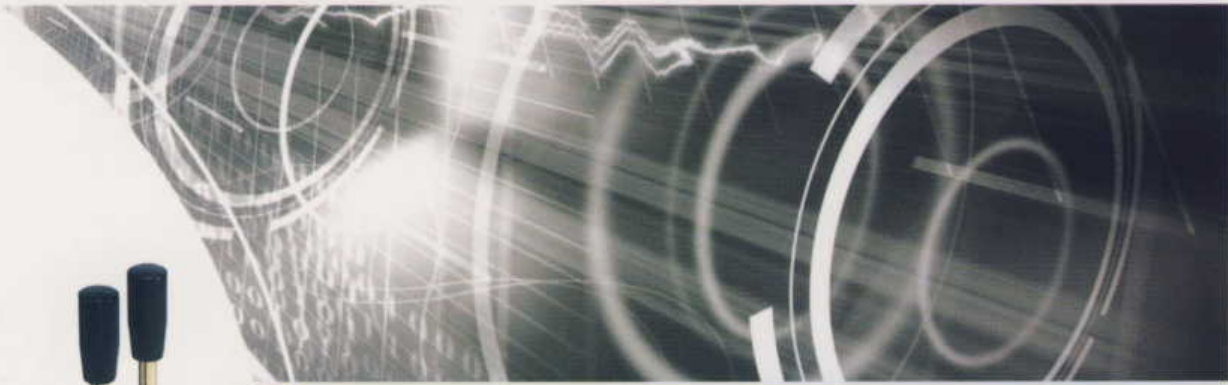


SECTIONAL DIRECTIONAL CONTROL VALVES



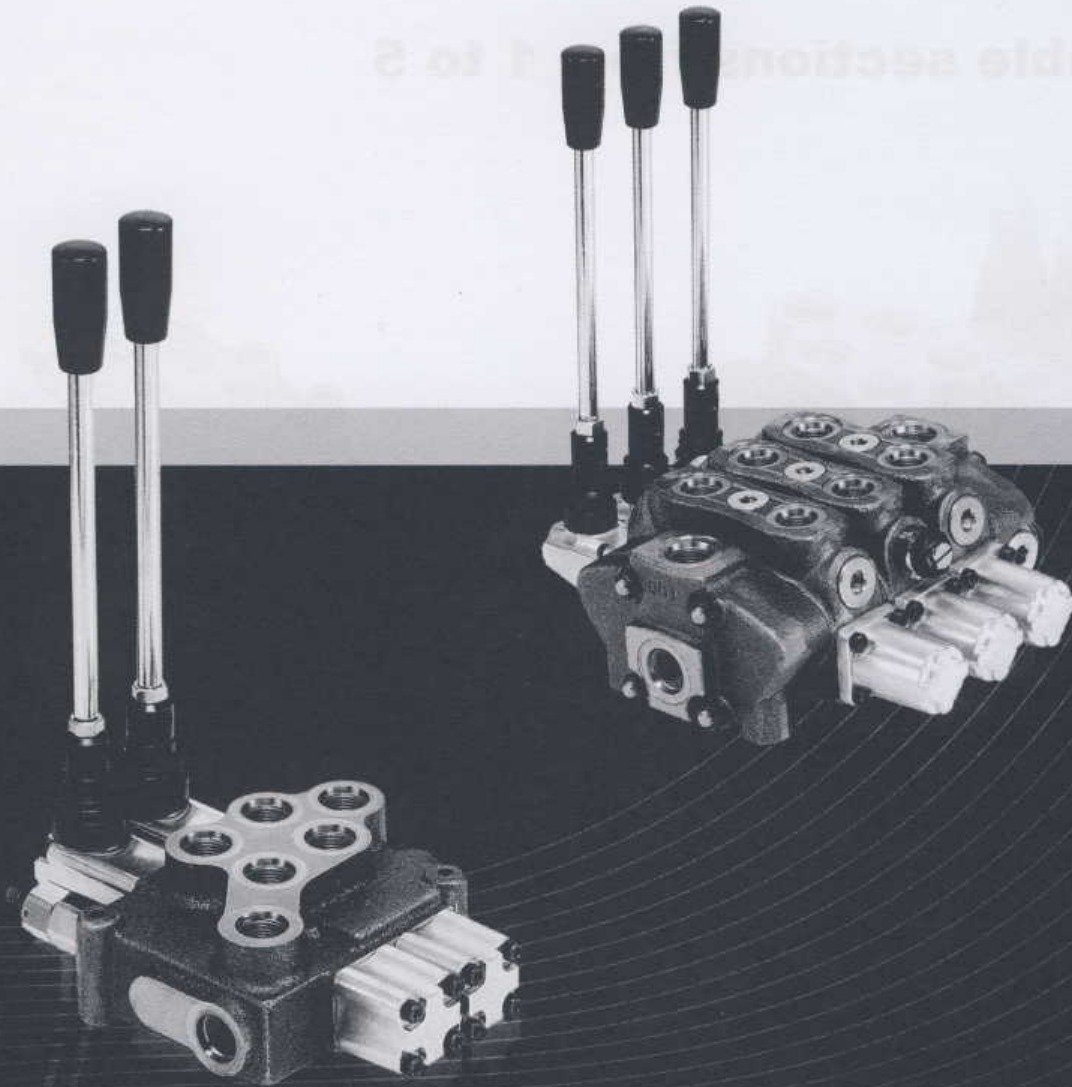
FOR MOBILE AND INDUSTRIAL
HYDRAULIC APPLICATIONS



ISO 9001:2000
QA070092

Sole Exclusive Distributor: PT. DYCOM ENGINEERING

Tel.: + 62 - 21 - 56978889 (4 lines) Fax. : + 62 - 21 - 5672037 / 56977718 E-mail: sales@dycom.co.id

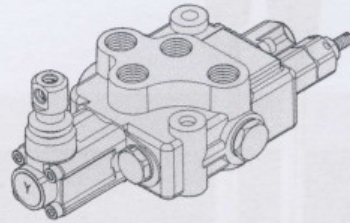
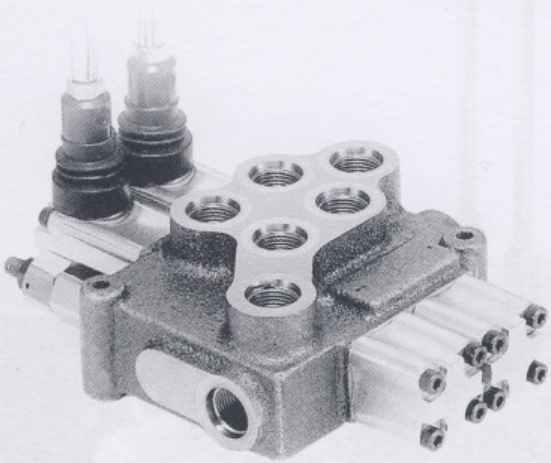


SN-4

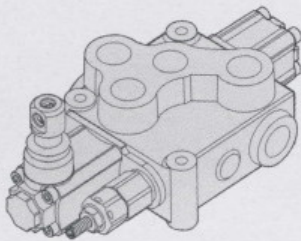
Nominal flow rate		80 l/min	21 US gpm
Operating pressure(maximum)	parallel or tandem circuit	315 bar	4600 psi
	series circuit	210 bar	3050 psi
Back pressure(maximum)	on outlet port T	25 bar	360 psi
Fluid temperature range	with NBR(BUNA-N) seals	from - 20° to 80°C	from - 4° to 176°F
	with FPM(VITON) seals	from - 20° to 1 00°C	from -4° to 212°F
Viscosity	operating range	from 15 to 75 mm ² /s	from 1.5 to 75 cSt
	min.	12 mm ² /s	12 cSt
	max.	400 mm ² /s	400 cSt
Ambient temperature range		from - 40° to 60°C	from -40° to 140°F



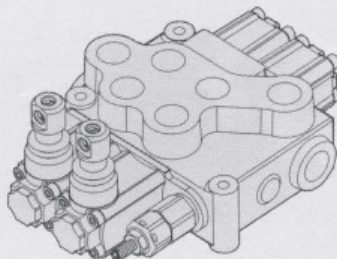
Available sections from 1 to 5



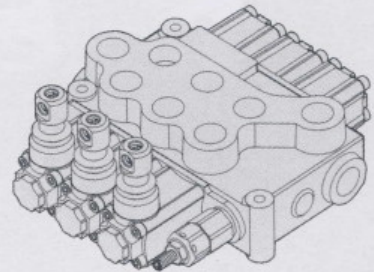
1 section configuration



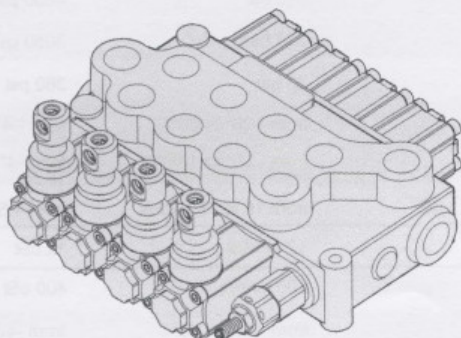
1 section configuration



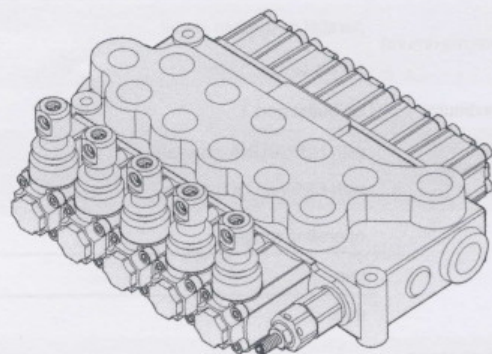
2 section configuration



3 section configuration



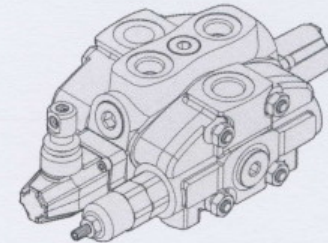
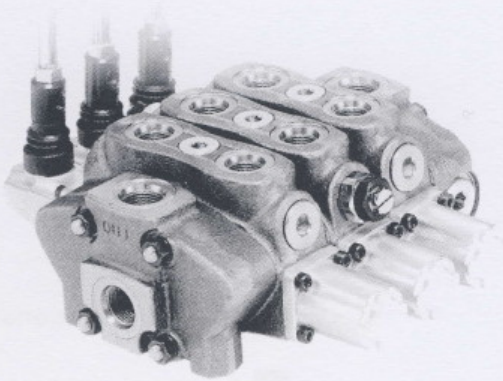
4 section configuration



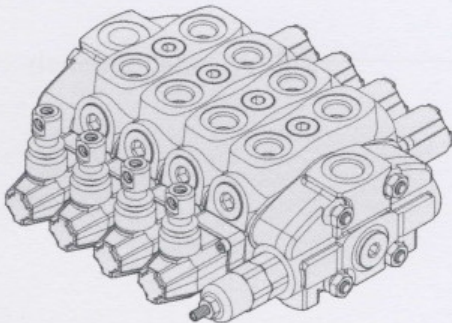
5 section configuration



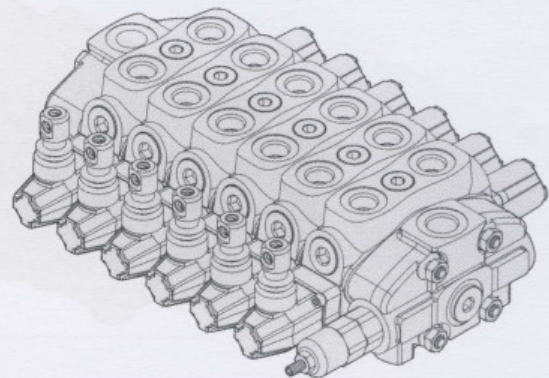
Available sections from 1 to 12



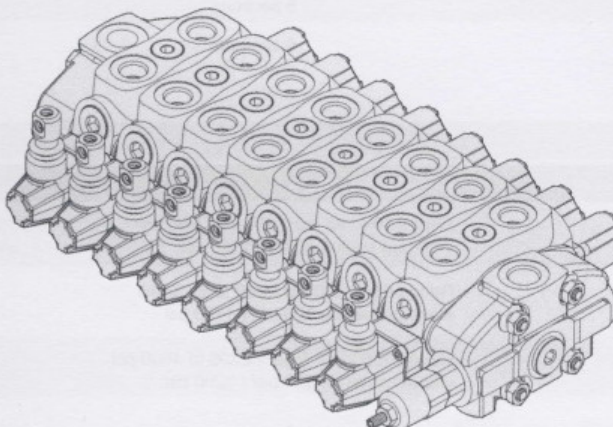
1 section configuration



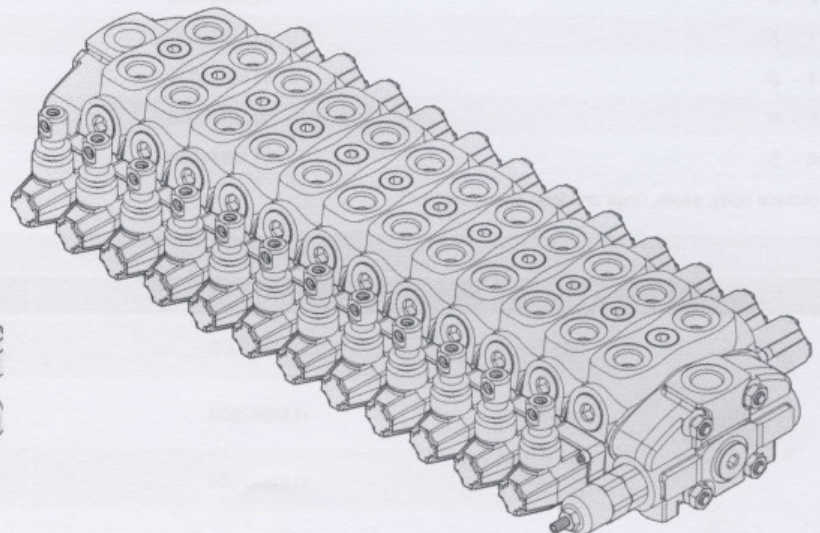
4 section configuration



6 section configuration



8 section configuration



12 section configuration



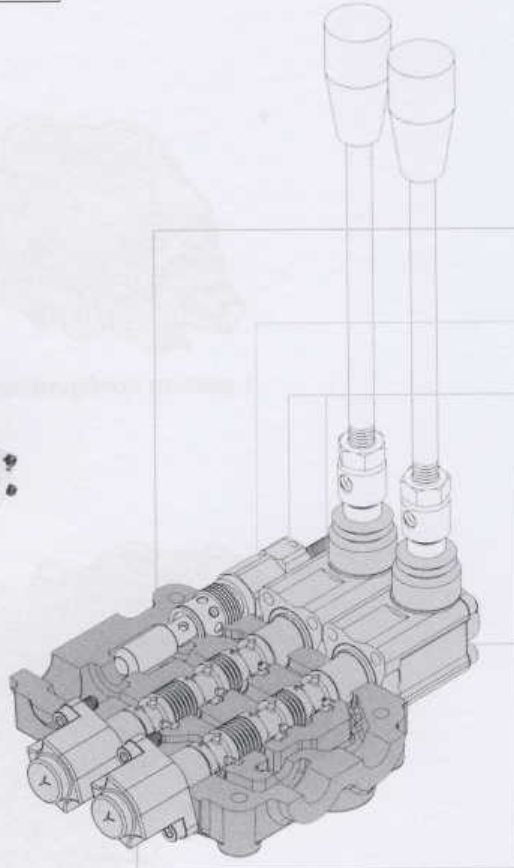
MB-3 / MB-4 Monoblock Directional Control Valves

MB-4 / 2 - S - MG-3 / 1 8 L / G04 / M1

1 2 3 4 5 6

1st section

Pressure relief valve setting (bar)



- 1 Body kits
- 2 Inlet relief (optional)
- 3 Spools symbol
- 4 "B" side spool positioners
- 5 "A" side (optional)



1: Body kits

WITHOUT SERVICE PORT VALVES PREARRANGEMENT




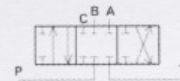
TYPE	CODE	DESCRIPTION
1 - S	YLMB41001	1 section
2 - S	YLMB41002	2 sections
3 - S	YLMB41003	3 sections
4 - S	YLMB41004	4 sections
5 - S	YLMB41005	5 sections
6 - S	YLMB41006	6 sections

Include body, seals, rings and load check valve.

2: Inlet relief (optional)

	TYPE	CODE	DESCRIPTION
	MG-2	YLMB42002	Range 40 to 80 bar / 580 to 1 150 psi standard setting 80 bar / 1150 psi
	MG-3	YLMB42003	Range 63 to 200 bar / 900 to 2900 psi standard setting 120 bar / 1750 psi
	MG-4	YLMB42004	Range 160 to 315 bar / 2300 to 4600 psi standard setting 220 bar / 3200 psi
	SV	YLMB42100	Relief valve blanking plug

3: Spools symbol

CIRCUIT	TYPE	CODE	CIRCUIT DESCRIPTION	MB-3	MB-4
	1	YLMB 43001	3 position double - acting	*	*
	2	YLMB 43002	3 position double - acting A and B to tank	*	*
	3 ("B" port plugged)	YLMB 43003	3 position double - acting A and B to tank 3 position single - acting on A	*	*
	4 ("A" port plugged)	YLMB 43004	3 position single - acting on B		*
	5	YLMB 43005	3 position double - acting A blocked B to tank	*	*
	6	YLMB 43006	3 position double - acting A to tank B blocked	*	*
	7	YLMB 43007	3 position single - acting on A to tank	*	*
	8	YLMB 43008	3 position single - acting on B to tank		*
	9	YLMB 43009	3 position double - acting switch port closed A and B blocked	*	*
	10	YLMB 43010	3 position double - acting switch port closed A and B tank	*	*

* Means with
Omitted means without



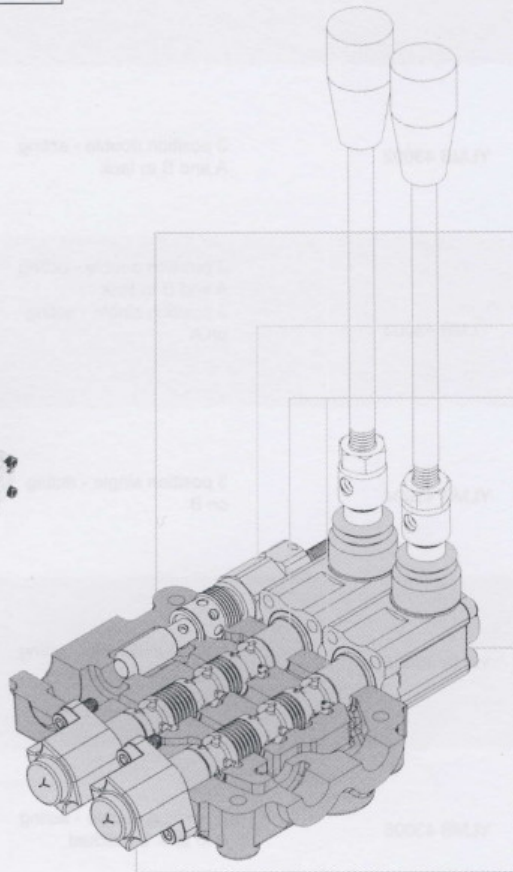
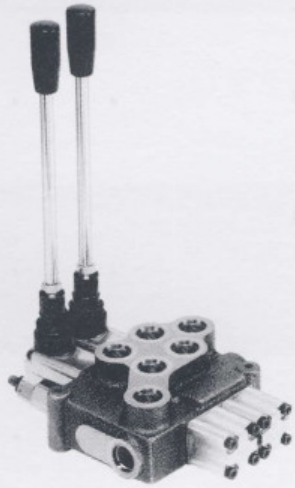
MB-3 / MB-4 Monoblock Directional Control Valves

MB-4 / 2 - S - MG-3 / 1 8 L / G04 / M1

1 2
Pressure relief valve setting (bar)

1st section

3 4 5 6



- 1 Body kits
- 2 Inlet relief (optional)
- 3 Spools symbol
- 4 "B" side spool positioners
- 5 "A" side (optional)

4: "B" side spool positioners				5: "A" side (optional)			
	TYPE	CODE	DESCRIPTION		TYPE	CODE	DESCRIPTION
	7	YLMB44007	3 position spring - centred spool 		L	YLMB45000	Standard lever
	8	YLMB44008	3 position spring - centred spool 				
	9-1	YLMB44091	3 position spring - centred spool detent in A and B 				
	9-2	YLMB44092	3 position spring - centred spool detent in A 		SLP	YLMB45001	Without lever, with dust proof plate
	9-3	YLMB44093	3 position spring - centred spool detent in B 				

6: Outlet M

CODE	HYDRAULIC DIAGRAM	LAYOUT	DESCRIPTION	CODE	HYDRAULIC DIAGRAM	LAYOUT	DESCRIPTION
1			Outlet with single return (T)	6			Outlet with two returns (C)

TYPE OF THREAD ON INLET - PORTS - OUTLET	TWO OUTLETS POSITION WITH C AND TYPE OF THREAD ON INLET - PORTS - OUTLET
------------------------------------------	--------------------------------------------------------------------------



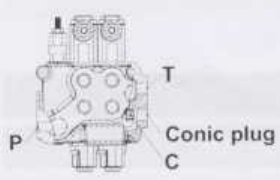
CODE	DESCRIPTION	CODE	DESCRIPTION	CODE	DESCRIPTION	CODE	DESCRIPTION
2	Side inlet P and outlet T top ports A - B	3	Top inlet P - outlet T top ports A - B	7	Side inlet P - outlet T (tank) outlet C top ports A - B	8	Top inlet P - outlet T (tank) - ports A - B side outlet C

SINGLE OUTLET (T) POSITION AND TYPE OF THREAD ON INLET - PORTS - OUTLET	TWO OUTLETS POSITION WITH C AND TYPE OF THREAD ON INLET - PORTS - OUTLET
-------------------------------------------------------------------------	--------------------------------------------------------------------------



CODE	DESCRIPTION	CODE	DESCRIPTION	CODE	DESCRIPTION	CODE	DESCRIPTION
4	Side inlet P top ports A-B and outlet T	5	Top inlet P and A-B side outlet T	9	Side inlet P - outlet C top ports A - B and outlet T (tank)	10	Top inlet P and ports A - B side outlet T (tank) and outlet C

Note: The monoblock MB-4 with single outlet (T) type "1" can be converted to type "6" with C with two outlets with T mounting a conic plug as per the table mentioned below.
 For the same application on the monoblock MB-3, a machining is required.
 Type of conic plugs to convert a single outlet into a double one



NOTE:
 MB-3 : APPLICATION C ON REQUEST
 MB-4 : APPLICATION C PREARRANGET



SN-4 Sectional Directional Control Valves

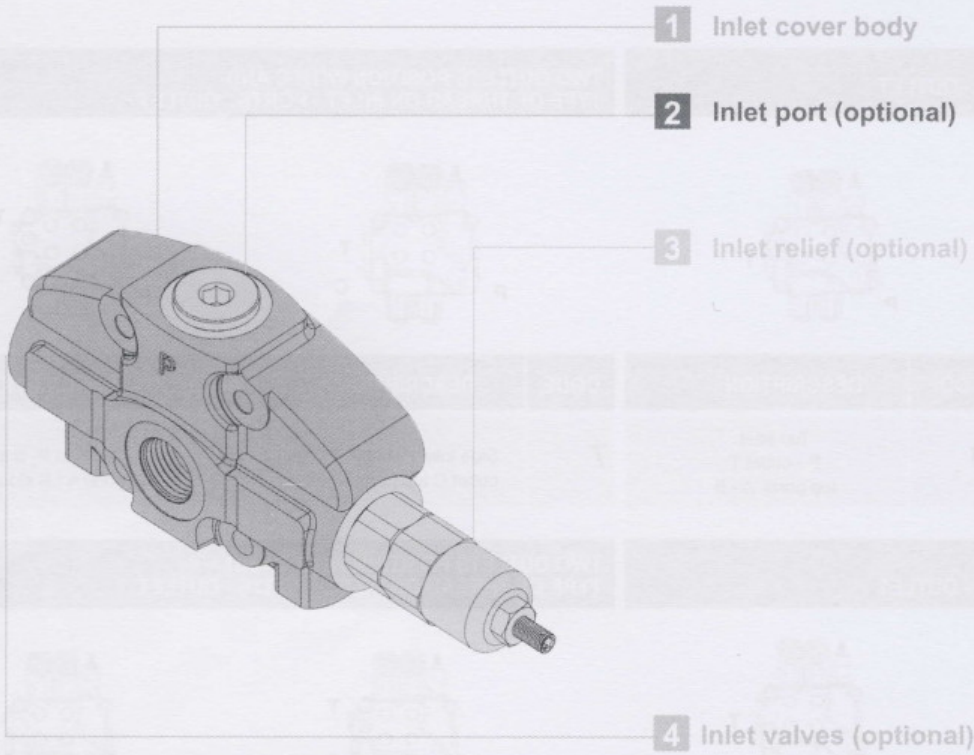
Inlet section (optional)

Ordering information:

FP SN-4 / A C (SG-3) / S V - SAE*



Pressure relief valve setting (bar)



1: Inlet cover body

	CODE	DESCRIPTION
	YLPSN41001	AC-AD type body

2: Inlet port (optional)

	DESCRIPTION
	SAE 10 plug* (n.1 plug required)

4: Inlet valves (optional)

	TYPE	CODE	DESCRIPTION
	SV	YLPSN44000	Relief valve blanking plug

3: Inlet relief (optional)

	TYPE	CODE	DESCRIPTION
	SG-2	YLPSN43002	Range 80 to 160 bar / 1150 to 2300 psi standard setting 125 bar / 1800 psi
	SG-3	YLPSN43003	Range 125 to 250 bar / 1800 to 3600 psi standard setting 175 bar / 2500 psi
	SG-4	YLPSN43004	Range 200 to 315 bar / 2900 to 4600 psi standard setting 220 bar / 3200 psi

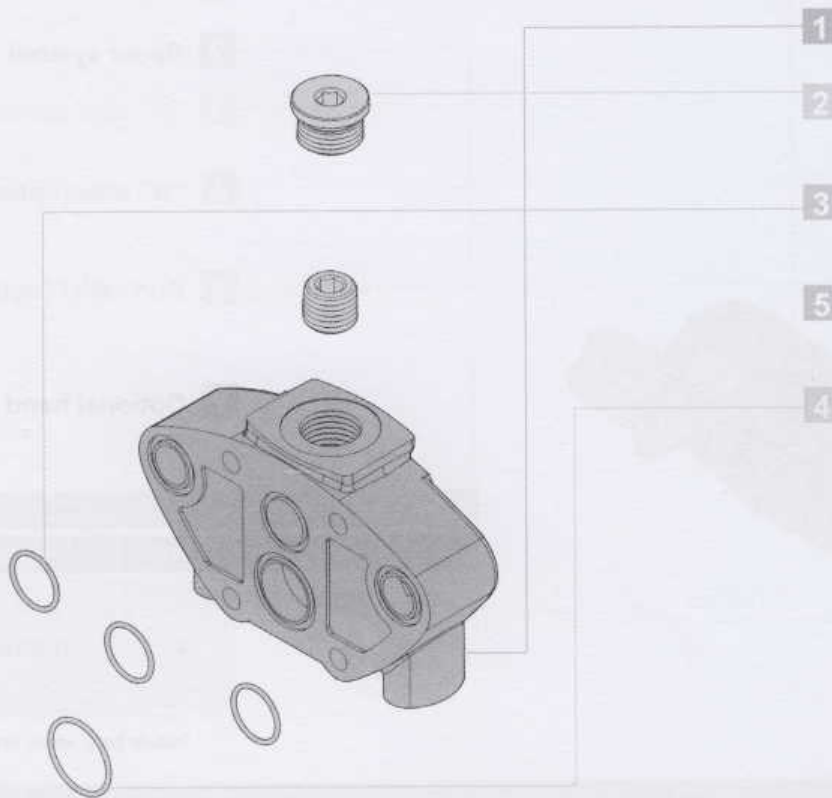
Standard setting is referred to 10 l/min - 2.6 US gpm flow.

	SV	YLPSN44000	Relief valve blanking plug
--	----	------------	----------------------------

Outlet section

Description example:

FT SN-4 / R C - SAE*



Outlet section parts

PART	CODE	Q'TY	DESCRIPTION
1	YLTSN45001	1	Outlet section body *
2	-	1	SEA 10 plug*
3	-	3	18.77x1.78 NBR 70 SH O-Ring seal
4	-	1	25.12x1.78 NBR 70 SH O-Ring seal

Outlet section parts

PART	CODE	Q'TY	DESCRIPTION
5	YLTSN45002	1	M18X1.5 plug For power beyond (RE) and closed center (RK) option

NOTE (*) - Items are referred to UN-UNF thread



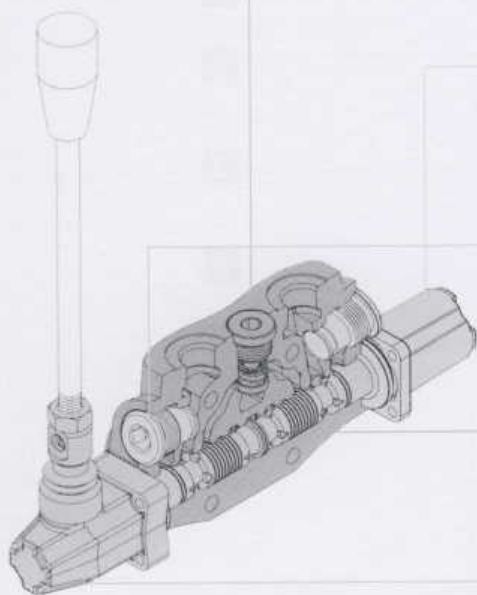
SN-4 Sectional Directional Control Valves

Inlet section :

FW SN-4 / 1 - S / 1 8 L / P1(G 3) - SAE*




- 1 mounted on A port.
- 2 mounted on B port.
- 3 mounted on A and B port.




- 1** Working section kits
- 2** Spool symbol
- 3** "A" side Spool positioners
- 4** "B" side (optional)
- 5** Port relief (optional)
- Y** Optional hand / levers


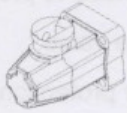

1: Working section kits





	TYPE	CODE	DESCRIPTION
	P	YLWSN41001	Parallel


Include body, seals, rings and load check valve

2: Spool symbol

CIRCUIT	TYPE	CODE	CIRCUIT DESCRIPTION
	1	YLWSN42001	Double acting, 3 positions, with A and B closed in neutral position
	1S	YLWSN42010	Double acting, 3 positions, with A and B closed in neutral position, for series
	6	YLWSN42001	Double acting, 3 positions, with A and B closed in neutral position
	5	YLWSN42005	Double acting, 3 positions, with B open to tank in neutral position
	2	YLWSN42002	Double acting, 3 positions, with A and B open to tank in neutral position
	3 ("B" port plugged)	YLWSN42003	Single acting on A, 3 positions, B plugged requires SAE 8 plug (see port B)
	4 ("A" port plugged)	YLWSN42004	Single acting on B, 3 positions, B plugged requires SAE 8 plug (see port A)

3: "A" side Spool positioners				4: "B" side (optional)			
	TYPE	CODE	DESCRIPTION		TYPE	CODE	DESCRIPTION
	8	YLWSN3008	With spring return in neutral position		L	YLWSN44000	Standard lever
					SLP	YLWSN44001	Without lever, with dust proof plate

5: Port relief (optional)			
	TYPE	CODE	DESCRIPTION
	P (G3-100)	YLWSN45003	Range 100 to 250 bar / form 1450 to 3600 psi standard setting 100 bar / 1450 psi
	P (G4-200)	YLWSN45004	Range 200 to 315 bar / form 2900 to 4600 psi standard setting 200 bar / 2900 psi
	U (G2-63)	YLWSN45012	Range 63 to 125 bar / form 900 to 1800 psi standard setting 63 bar / 900 psi
	U (G3-100)	YLWSN45013	Range 100 to 250 bar / form 1450 to 3600 psi standard setting 100 bar / 1450 psi
	U (G4-200)	YLWSN45014	Range 200 to 315 bar / form 2900 to 4600 psi standard setting 200 bar / 2900 psi
Standard setting is referred to 10 l/min -2.6 us gpm flow.			
	C	YLWSN45100	Anti - cavitation
	P3T	YLWSN45200	A and B ports valve blanking plugs

Y: Optional hand / levers			
	TYPE	CODE	DESCRIPTION
	YL01/M10x200	170012020	For L lever box L=200 mm/7.87 in

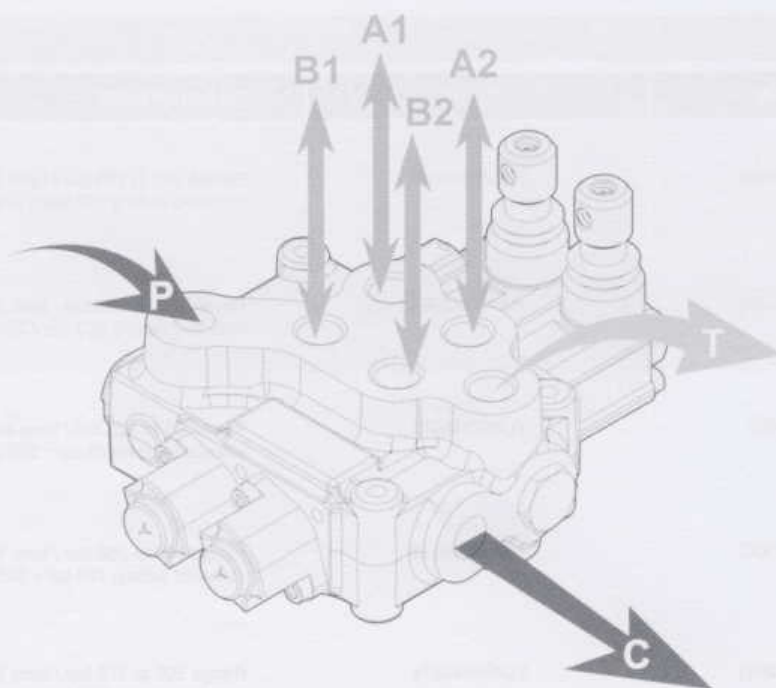


MB-3 / MB-4 Monoblock Directional Control Valves

Notices for installation

When installing the sectional direction control valve, follow the instructions given as below.

1. Install the sectional direction control on a flat surface to prevent deformation problem.
2. Do not apply high pressure liquid for cleaning the valve.
3. Before painting, insert plastic plugs into ports for protection.



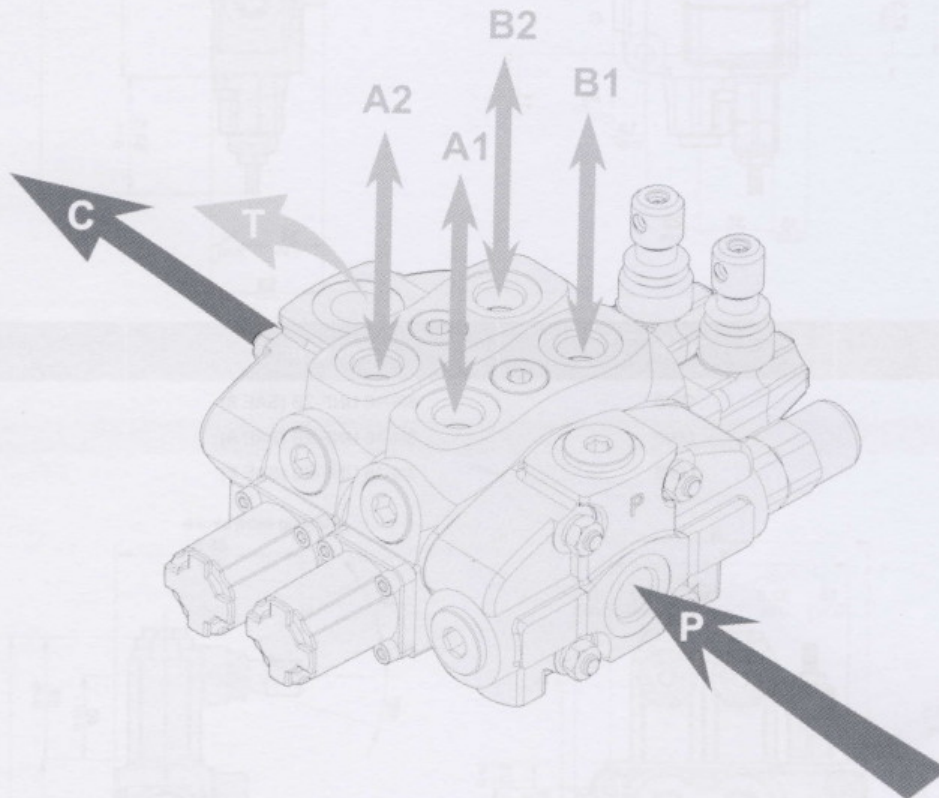
Power beyond configuration

MB-3

THREADS TYPE	P port	A and B ports	T and C ports
BSP	G 3/8	G 3/8	G 3/8
UN - UNF	3/4 - 16 UNF-2B (SAE-8)	3/4 - 16 UNF-2B (SAE-8)	3/4 - 16 UNF-2B (SAE-8)
METRIC	M18 X 1.5	M18 X 1.5	M18 X 1.5

MB-4

THREADS TYPE	P port	A and B ports	T and C ports
BSP	G 1/2	G 1/2	G 1/2
UN - UNF	3/4 - 16 UNF-2B (SAE-8)	3/4 - 16 UNF-2B (SAE-8)	3/4 - 16 UNF-2B (SAE-8)
METRIC	M22 X 1.5	M22 X 1.5	M22 X 1.5



Power beyond configuration

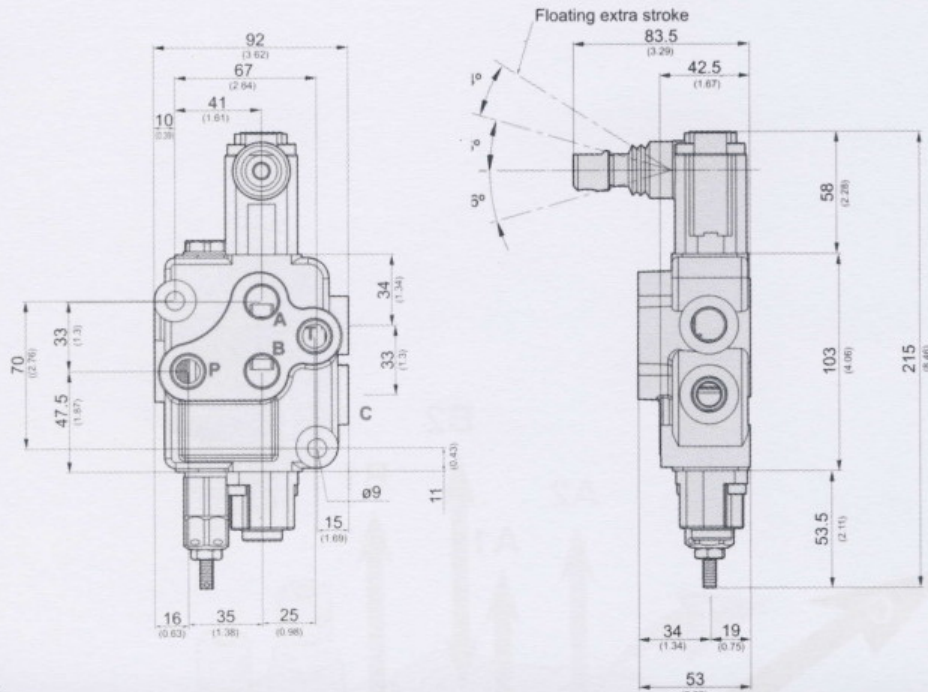
SN-4

THREADS TYPE	P port	A and B ports	T and C ports
BSP	G 1/2	G 1/2	G 3/4
UN - UNF	7/8 - 16 UNF-2B (SAE-10)	3/4 - 16 UNF-2B (SAE-8)	7/8 - 14 UNF-2B (SAE-10)
METRIC	M22X1.5	M18 X 1.5	M22X1.5



MB-3 / MB-4 Monoblock Directional Control Valves

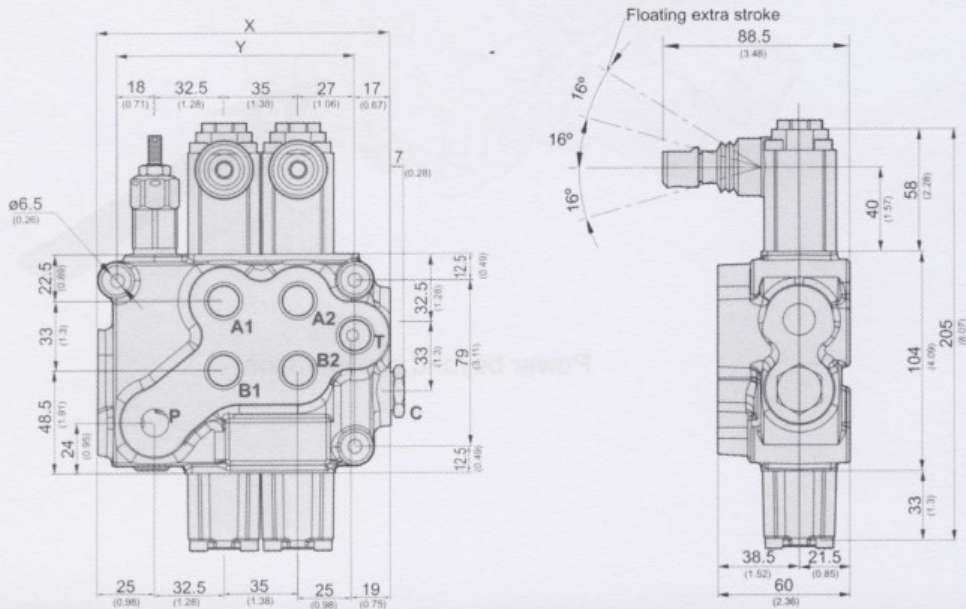
MB-3



Standard threads

PORTS	BSP	UN-UNF	METRIC
Inlet P	G3/8	3/4-16 UNF-2B (SAE 8)	M18 x 1.5
A and B ports	G3/8	3/4-16 UNF-2B (SAE 8)	M18 x 1.5
Outlet T and power beyond C	G3/8	3/4-16 UNF-2B (SAE 8)	M18 X 1.5

MB-4



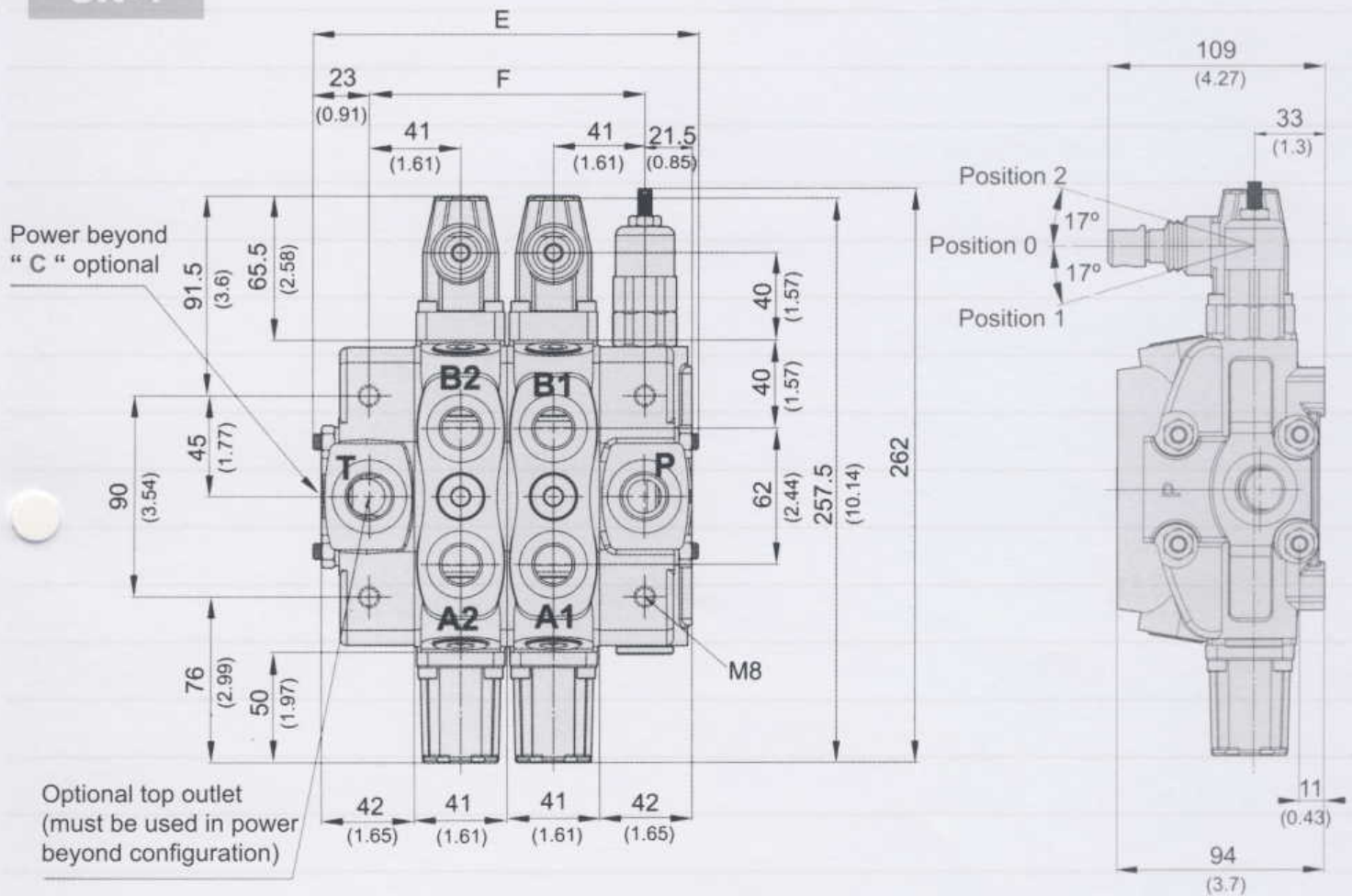
TYPE	X		Y		WEIGHT		TYPE	X		Y		WEIGHT	
	mm	in	mm	in	kg	lb		mm	in	mm	in	kg	lb
MB-4/1-S	101.5	4	77.5	3.05	4.0	6.4	MB-4/1-S	200.5	8.13	182.5	7.19	8.2	14.77
MB-4/2-S	136.5	5.37	112.5	4.43	5.1	9.48	MB-4/5-S	241.5	9.51	217.5	8.56	9.7	17.42
MB-4/3-S	171.5	6.75	147.5	5.81	6.6	12.13	MB-4/6-S	276.5	10.89	252.5	9.94	11.2	20.06

Standard threads

PORTS	BSP	UN-UNF	METRIC
Inlet P	G1/2	3/4-16 UNF-2B (SAE 8)	M18 x 1.5
A and B ports	G1/2	3/4-16 UNF-2B (SAE 8)	M18 x 1.5
Outlet T and power beyond C	G1/2	3/4-16 UNF-2B (SAE 8)	M18 X 1.5



SN-4

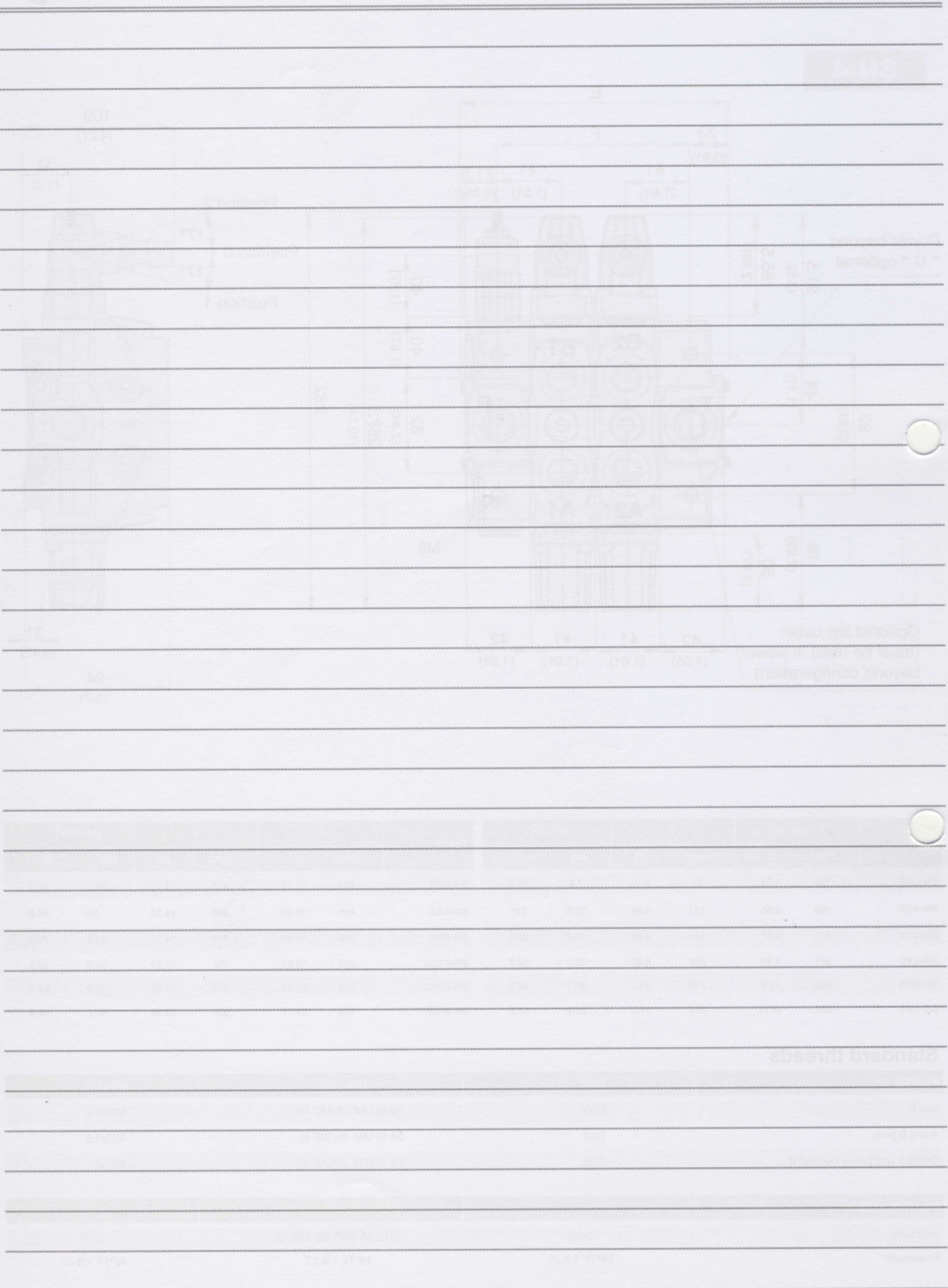


TYPE	E		F		WEIGHT		TYPE	E		F		WEIGHT	
	mm	in	mm	in	kg	lb		mm	in	mm	in	kg	lb
SN-4/1S	128	5.04	82	3.23	7.2	15.9	SN-4/7S	374	14.72	328	12.91	26.7	58.9
SN-4/2S	169	6.65	123	4.84	10.5	23.1	SN-4/8S	415	16.33	369	14.52	30	66.2
SN-4/3S	210	8.27	164	4.46	13.8	30.4	SN-4/9S	456	17.94	410	16.13	33.3	73.5
SN-4/4S	251	9.88	205	8.07	17.1	37.7	SN-4/10S	497	19.55	451	17.74	36.6	80.8
SN-4/5S	292	11.5	246	9.69	20.1	44.3	SN-4/11S	538	21.16	492	19.35	39.9	88.1
SN-4/6S	333	13.11	287	11.3	23.4	51.6	SN-4/12S	579	22.77	533	20.96	43.2	95.4

Standard threads

PORTS	BSP	UN-UNF	METRIC
Inlet P	G1/2	7/8-14 UNF-2B(SAE 10)	M22x1.5
A and B ports	G1/2	3/4-16 UNF-2B(SAE 8)	M22x1.5
Outlet T and power beyond C	G1/2	7/8-14 UNF-2B(SAE 10)	M27x2

PILOT PORTS	BSP	UN-UNF	METRIC
Hydraulic	G1/4	9/16-18 UNF-2B(SAE 6)	G1/4
Pneumatic	NPTF 1/8-27	NPTF 1/8-27	NPTF 1/8-27





Sole Exclusive Distributor :

	 <p>PT. DYCOM ENGINEERING <i>Pneumatics & Hydraulics Company</i></p> <p>Kompleks Golden Ville No. 88DB Jl. Daan Mogot 2 - Duri Kepa Jakarta Barat - INDONESIA 11510 Tel. : + 62 - 21 - 56978889 (4 lines) Fax. : + 62 - 21 - 5672037 / 56977718 E-mail : sales@dycom.co.id Website : www.dycom.co.id</p>